

COOPER TEXAS REAL ESTATE HOLDINGS, LLC, 174.77 ACRES VOL. 393, PG. 478 O.P.R.E.C.T.

R.E. MENOTTI 152.00 ACRES VOL. 282, PG. 261 O.P.R.E.C.T.

R.E. MENOTTI 84.40 ACRES VOL. 314, PG. 371 O.P.R.E.C.T.

J.L. MENOTTI 119.88 ACRES VOL. 281, PG. 162 O.P.R.E.C.T.

K2M ENTERPRISES 546.60 ACRES VOL. 275, PG. 205 O.P.R.E.C.T.

M.S. ELLIOT 24.18 ACRES VOL. 372, PG. 405 O.P.R.E.C.T.

JSK MARKETING 1396.84 ACRES VOL. 341, PG. 438 O.P.R.E.C.T.

SOLD

SOLD

SOLD

TR 3 37.04 Ac.

TR 4 63.08 Ac.

TR 13 50.25 Ac.

TR 22 59.62 Ac.

SOLD

SOLD

SOLD

SOLD

SOLD

SOLD

SOLD

TR 1 43.39 Ac.

TR 6 64.44 Ac.

TR 5 55.13 Ac.

TR 10 47.39 Ac.

TR 15 60.28 Ac.

TR 19 37.09 Ac.

TR 20 92.72 Ac.

SOLD

TR 7 34.81 Ac.

TR 8 42.58 Ac.

TR 9 70.41 Ac.

TR 17 40.34 Ac.

SOLD

TR 18 41.41 Ac.

SOLD

HOUSE CABIN METAL BARN

TR 35

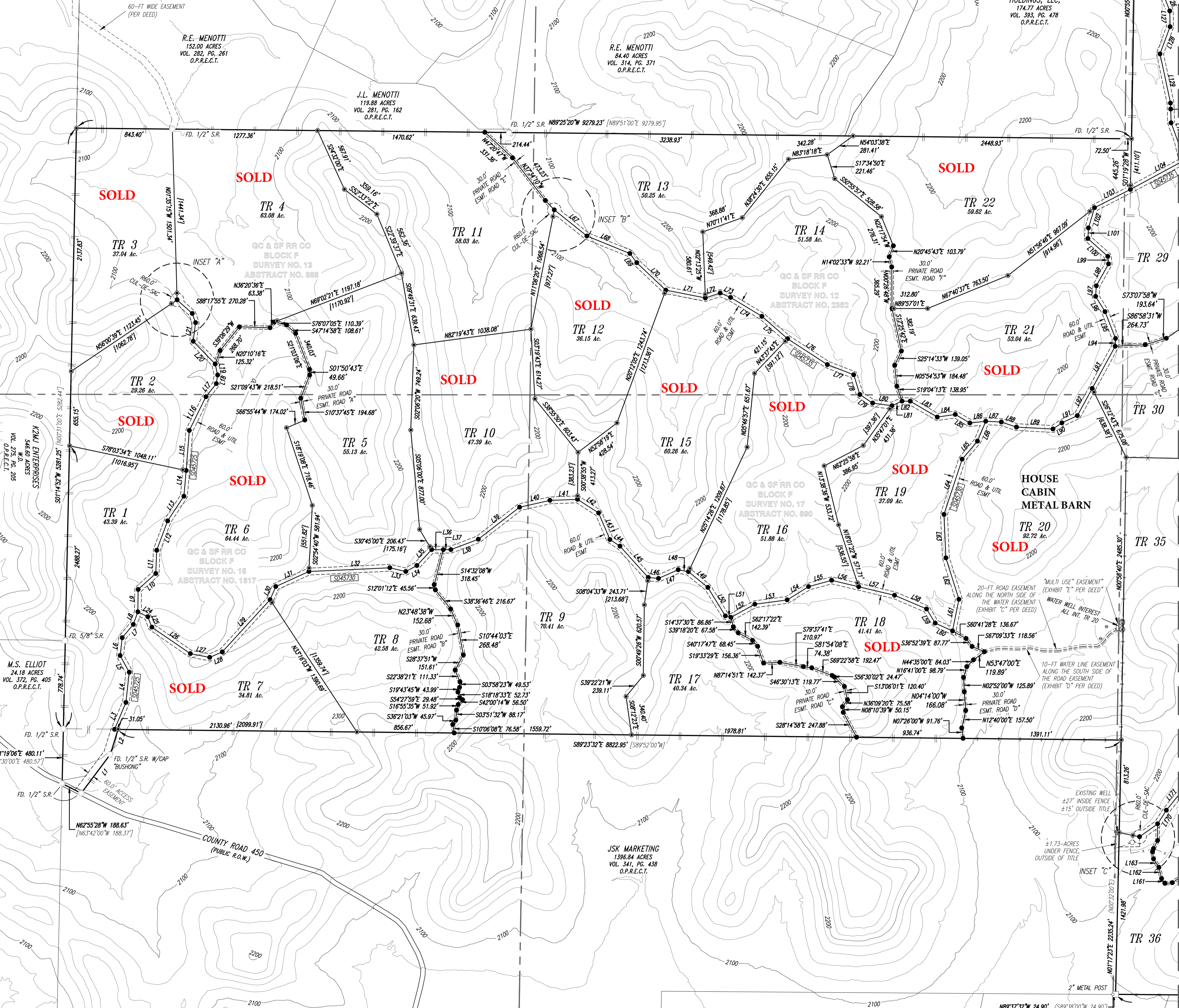
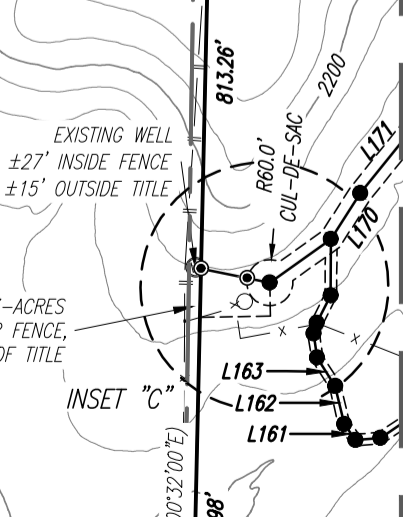
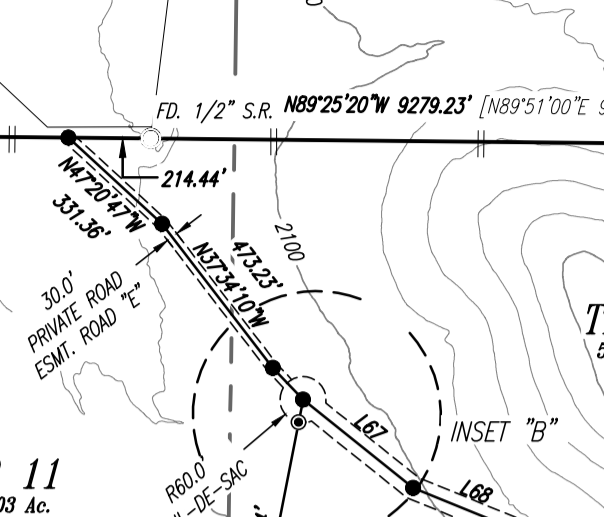
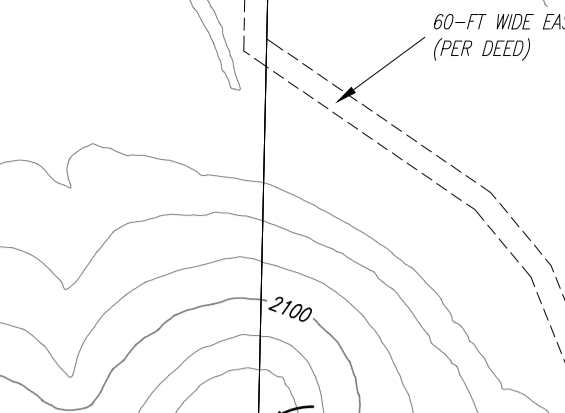
TR 36

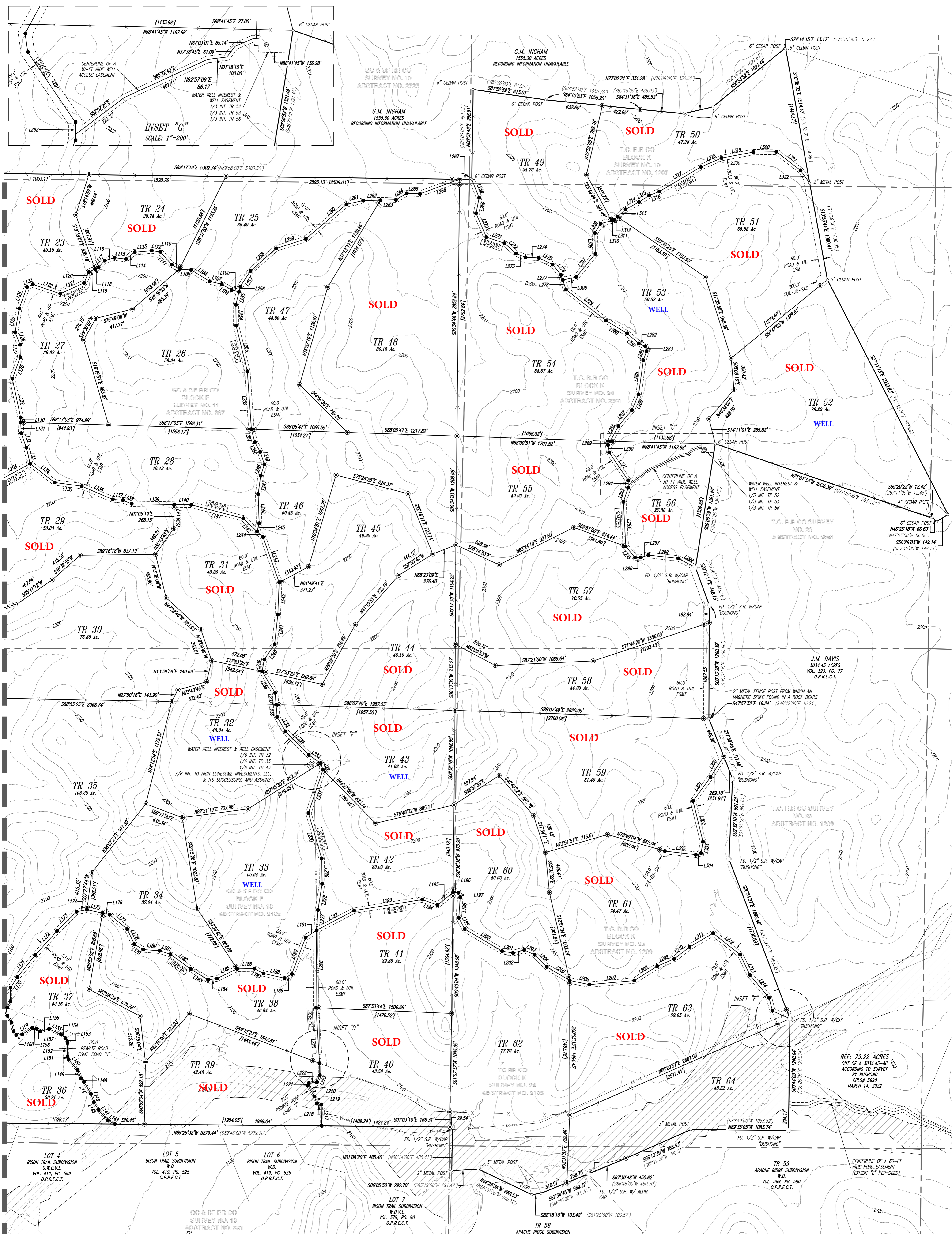
GC & SF RR CO BLOCK F SURVEY NO. 13 ABSTRACT NO. 888

GC & SF RR CO BLOCK F SURVEY NO. 16 ABSTRACT NO. 1817

GC & SF RR CO BLOCK F SURVEY NO. 12 ABSTRACT NO. 2352

GC & SF RR CO BLOCK F SURVEY NO. 17 ABSTRACT NO. 890





**INSET "G"**  
SCALE: 1"=200'

G.C. & S.F. RR CO  
SURVEY NO. 19  
ABSTRACT NO. 2725  
G.M. INGHAM  
1555.30 ACRES  
RECORDING INFORMATION UNAVAILABLE

T.C. R.R. CO  
BLOCK K  
SURVEY NO. 19  
ABSTRACT NO. 1287

G.C. & S.F. RR CO  
BLOCK F  
SURVEY NO. 11  
ABSTRACT NO. 887

T.C. R.R. CO  
BLOCK K  
SURVEY NO. 20  
ABSTRACT NO. 2581

T.C. R.R. CO SURVEY  
NO. 20  
ABSTRACT NO. 2581

J.M. DAVIS  
3034.45 ACRES  
VOL. 383, PG. 77  
O.P.R.E.C.T.

T.C. R.R. CO SURVEY  
NO. 23  
ABSTRACT NO. 1288

T.C. R.R. CO  
BLOCK K  
SURVEY NO. 23  
ABSTRACT NO. 1288

REF: 79.22 ACRES  
OUT OF A 3034.45-AC  
OUTLINE TO SURVEY  
BY BUSHONG  
RPL# 5690  
MARCH 14, 2022

LOT 4  
BISON TRAIL SUBDIVISION  
W.D.  
VOL. 412, PG. 599  
O.P.R.E.C.T.

LOT 5  
BISON TRAIL SUBDIVISION  
W.D.  
VOL. 412, PG. 525  
O.P.R.E.C.T.

LOT 6  
BISON TRAIL SUBDIVISION  
W.D.  
VOL. 419, PG. 525  
O.P.R.E.C.T.

LOT 7  
BISON TRAIL SUBDIVISION  
W.D.V.L.  
VOL. 379, PG. 90  
O.P.R.E.C.T.

G.C. & S.F. RR CO  
SURVEY NO. 18  
ABSTRACT NO. 891

G.C. & S.F. RR CO  
SURVEY NO. 18  
ABSTRACT NO. 891

T.C. R.R. CO  
BLOCK K  
SURVEY NO. 24  
ABSTRACT NO. 2195

TR 59  
APACHE RIDGE SUBDIVISION  
W.D.  
VOL. 369, PG. 580  
O.P.R.E.C.T.

CENTERLINE OF A 60-FT  
WIDE ROAD EASEMENT  
(EXHIBIT "E" PER DEED)